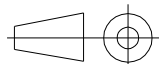
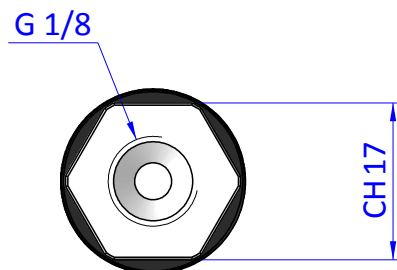
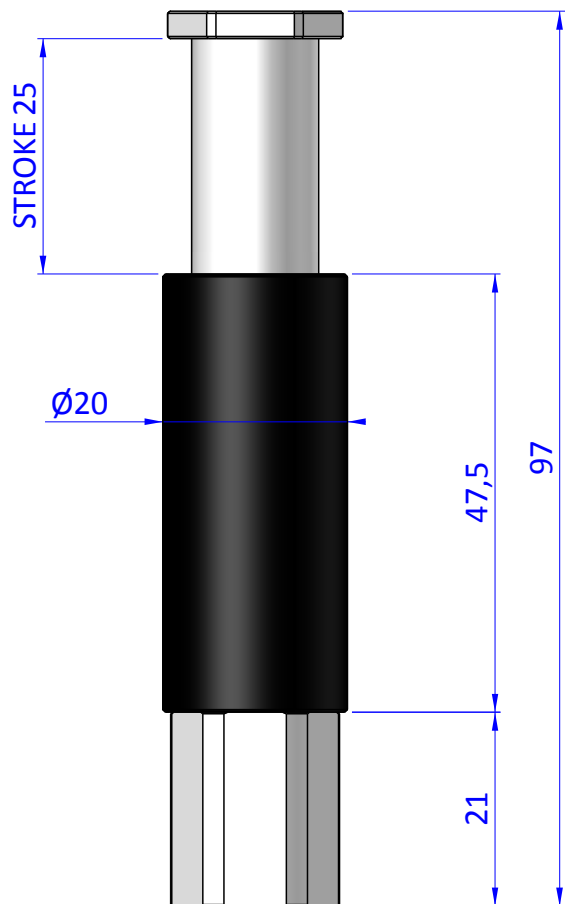
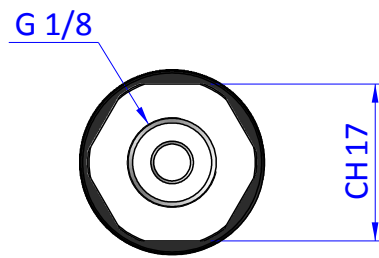
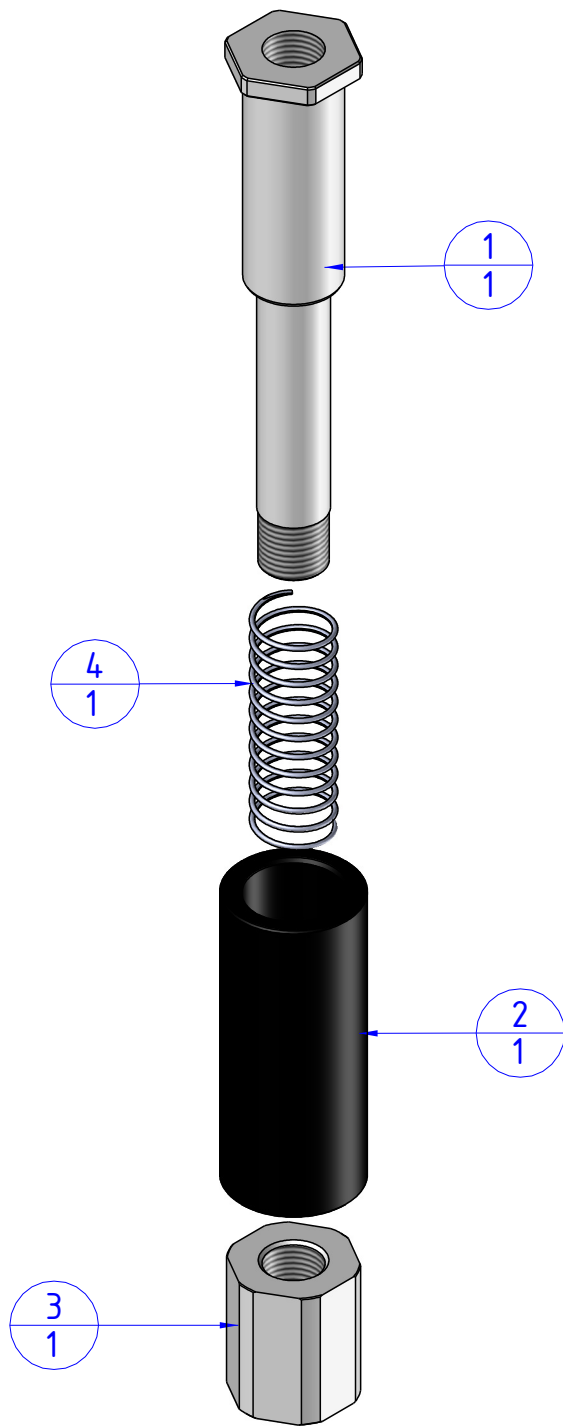


THE PROPERTY OF THE DRAWING IS ESTABLISHED BY LAW. IT IS FORBIDDEN TO PRODUCE OR SHOW IT TO THIRD PART. WITHOUT A WRITTEN AGREEMENT.

Item	Name	Q.ty
1	SDR.2025.01	1
2	SDR.2025.02	1
3	VSN.20.1	1
4	M.12X39.50	1



DESIGNED FROM FP SERVICES		REVIEW A / 10
DATE 11/02/2019	WEIGHT 0,054kg	
CODE CA.SDR.2025		

Format A4
UNI 936-76

GENERAL TOLERANCE UNI - ISO 2768 CLASSE f

DESCRIPTION CA.SDR.2025
